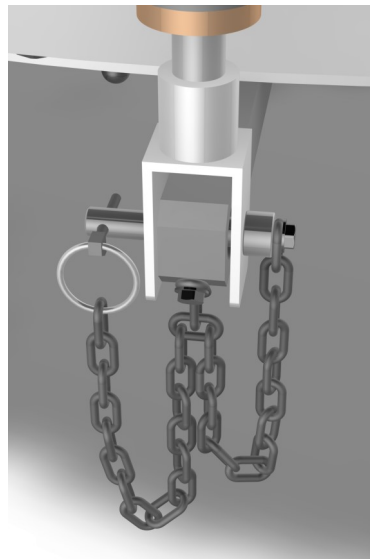


There are several options available for raising and lowering the dish on a ZWAG filter. Steri offers hydraulic operated cylinders, a manually operated lowering device or manually operated hand pumps to raise and lower the bottom dish.

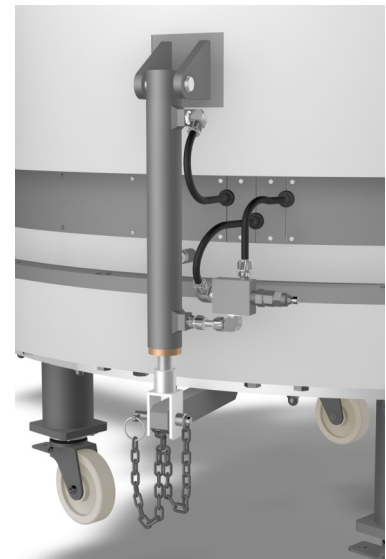
## Hydraulic Design - Raise & Lower by Push of a Button

Powered, hydraulically operated cylinders are used to raise and lower the filter dish. These cylinders are driven by the central hydraulic system.

The fixed end of the cylinders are attached to lugs welded to the vessel by means of a pin. The moving end of the cylinder is attached to brackets on the dish by means of a yoke and clevis pin. Proximity sensors confirm complete engagement of the dish into the vessel. Hydraulic cylinders are used to raise and lower the dish on all ZWAG filters larger than 0.5m<sup>2</sup>.

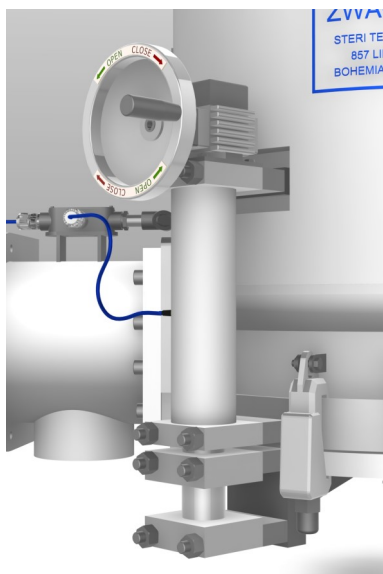


*Dish Yoke & Clevis Pin*

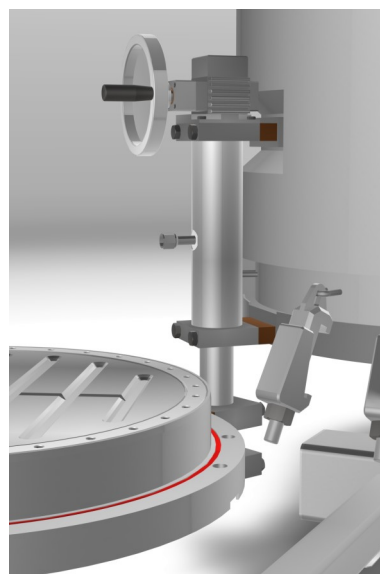


*Hydraulic Operated*

## Lowering Device Design - Raise & Lower by Turning a Wheel



*Closed Position*



*Open Position*

On smaller units, a manually operated hand wheel raises and lowers the dish.

The fixed end of the lowering device is bolted to lugs welded to the vessel. The moving end of the cylinder is bolted to brackets on the dish. At the bottom of travel, the dish swings out from under the vessel for easy access. Proximity sensors confirm complete engagement of the dish into the vessel. This feature is available on ZWAG filters up to 0.5m<sup>2</sup>.