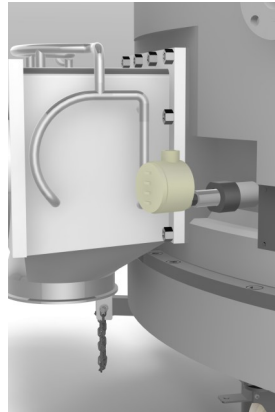


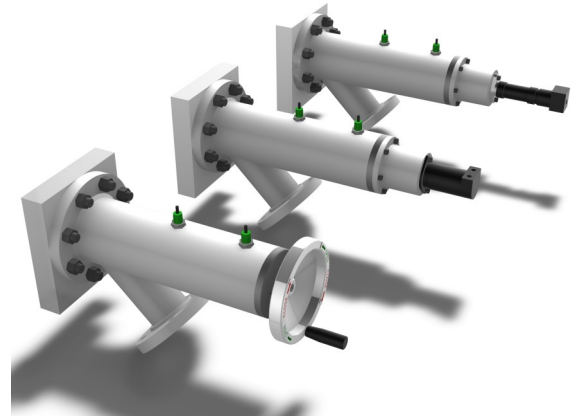
The ZWAG family of filter can be ordered with many accessories. Any accessory that your process requires can be designed in, right from the start. Additional spare nozzles can be added for later use to accommodate temperature probes or other components should the need arise in the future.



Steri offers custom made glove boxes that can be fitted to any nozzle or to the side discharge as needed.



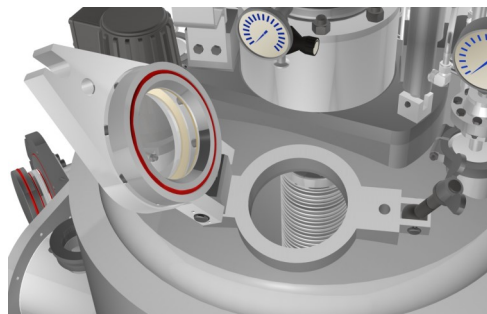
Temperature, pressure and other transmitting instruments can be added for process monitoring and automation.



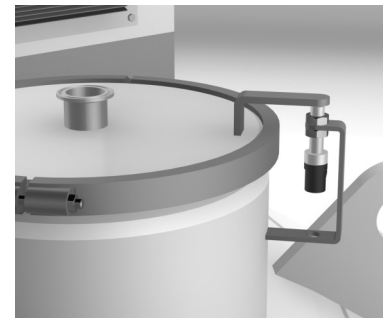
Slurry valves can be installed and fitted for manual, hydraulic or pneumatic operation.



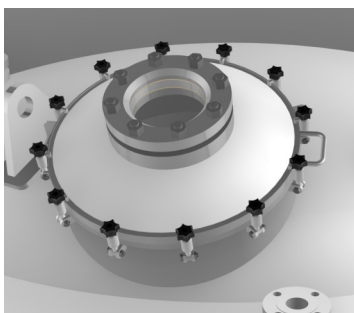
Various types of sampling valves ...



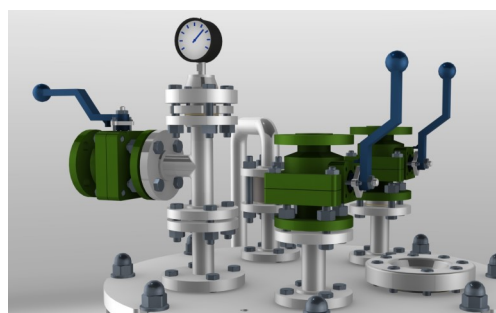
Steri type hand hole with sight glass...



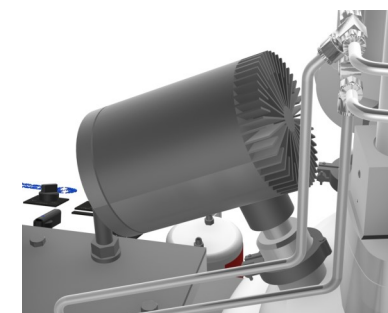
The ZWAG filter can be fitted with proximity sensors to provide open/closed, locked/unlocked positions feedback.



Manhole with sight glass...



Piping manifolds, instruments...



Light sources...